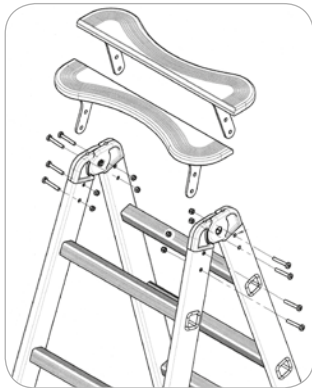


Professional 1

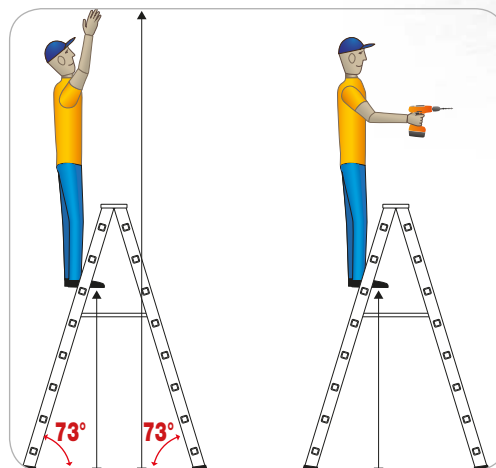
- Aluminium double-sided rungs stepladder.
- Light, stable and easy to use.
- Aluminium die casting hinges.
- 2 strong anti-splay restraint straps.
- Possibility to add an aluminium die casting platform.



Aluminium die casting hinge with polyamide clutch insert



ACCESSORY:
Aluminium die casting platform



RIGHT WORKING POSITION

Code	rungs number	(cm)	(cm)	(cm)	(cm)	(cm)	(kg)	(m ³)	Ean
P1-6	6	156,7	107,5	300	57,3	165,1	7,0	0,13	8028406002154
P1-7	7	180,6	122,2	325	60,3	190,1	8,0	0,15	8028406002161
P1-8	8	204,5	136,9	350	63,5	215,1	9,2	0,18	8028406002178
P1-9	9	228,4	151,6	375	66,6	240,1	10,0	0,22	8028406002185
P1-10	10	252,2	166,3	400	69,6	265,1	11,2	0,25	8028406002192
P1-12	12	300,0	195,7	440	75,7	315,1	14,4	0,32	8028406002253

P1-SEL	ACCESSORY: Aluminium die casting platform	8028406002260
--------	---	---------------



This product is delivered with a PVC wrap film and product leaflet



150 kg MAX



EN131 EUROPEAN NORM



UPDATE NEW NORM EN131: 01/18



Aluminium die casting hinges and big tool hook on side



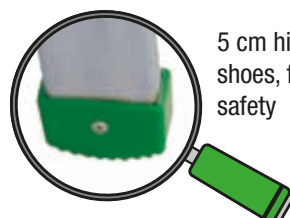
13,5 cm



30x30 mm square non-slip rungs on both sides



Stile/rung connection through triple expansion and crimping



5 cm high anti-slip shoes, for high safety

