

# SPECIAL "PIEGO"

**1 PLATFORM:**  
68x153 cm

**150**  
kg  
MAX



- Aluminium folding scaffolding.
- Fast to assemble.
- Provided with horizontal and diagonal braces bag.
- Stiles size: 25x65 mm.
- Rungs size: 30x30 mm.
- 4 Ø 100 mm castors with brake.



Lockable gate junction



Nylon clutch for hinge rotation

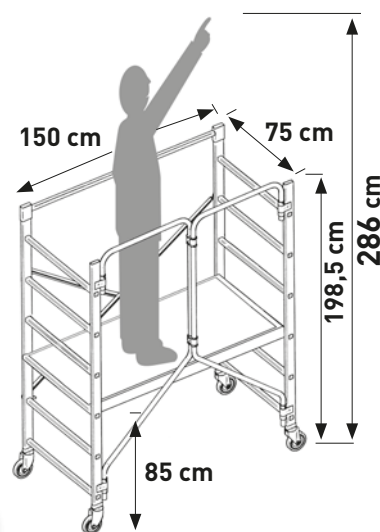
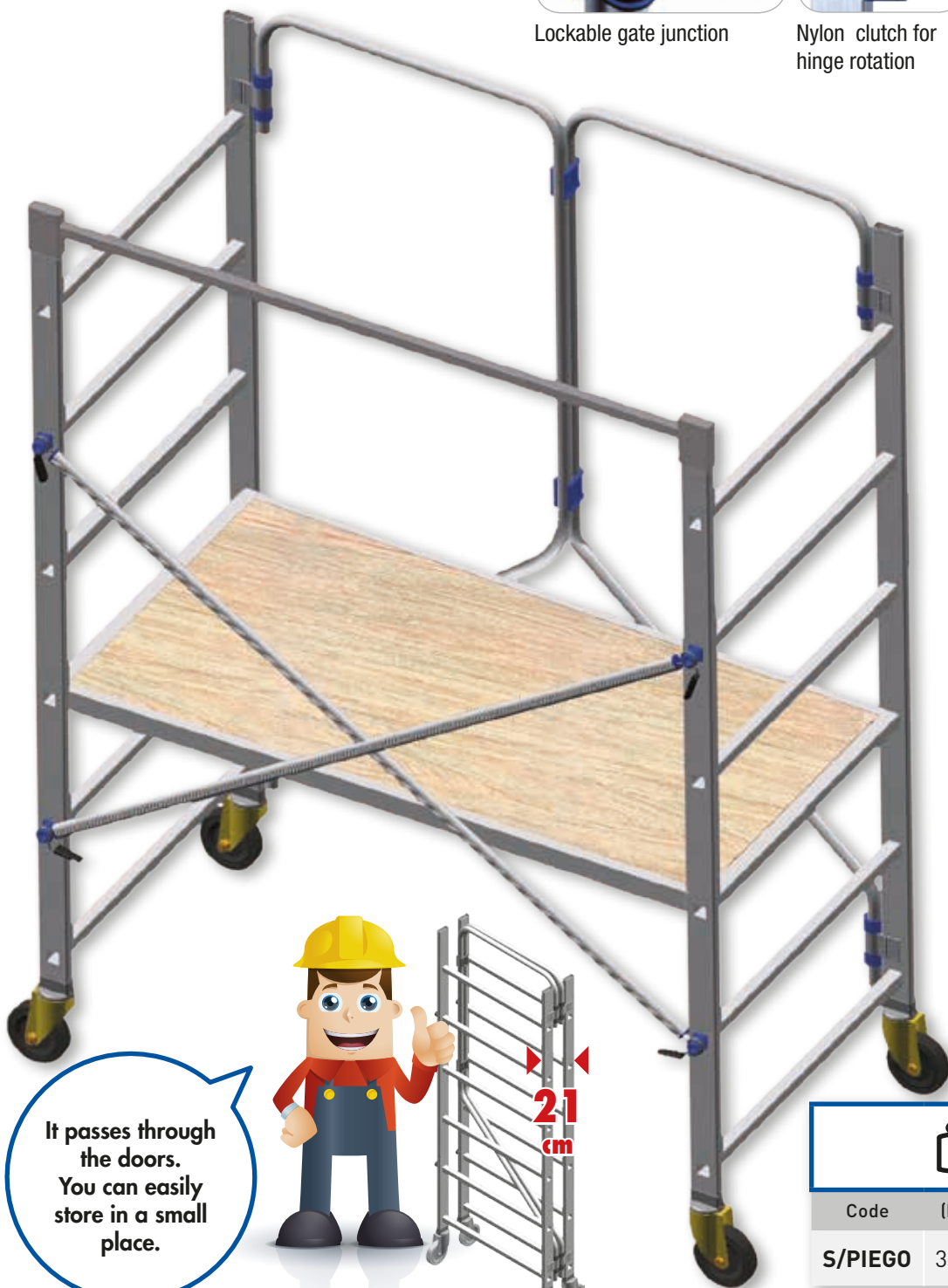


30X30 mm square rungs



**SAFETY:**

Diagonals instant locking system through stainless steel springs



It passes through the doors. You can easily store in a small place.

Code	(kg)	(m <sup>3</sup> )	Pieces	Ean
S/PIEGO	31,5	0,42	1	8028406035039