

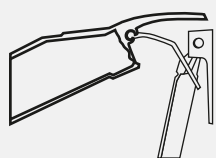
KARGO-ALU-SYSTEM



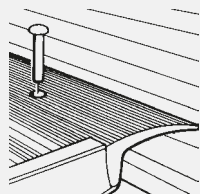
- Suitable for professional tired vehicles loading/unloading.
- Realized with special aluminium alloys.



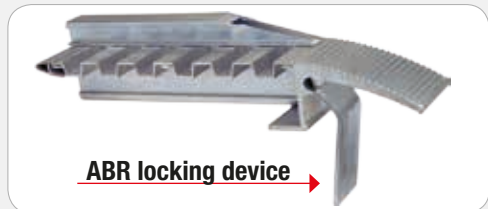
FASTENING



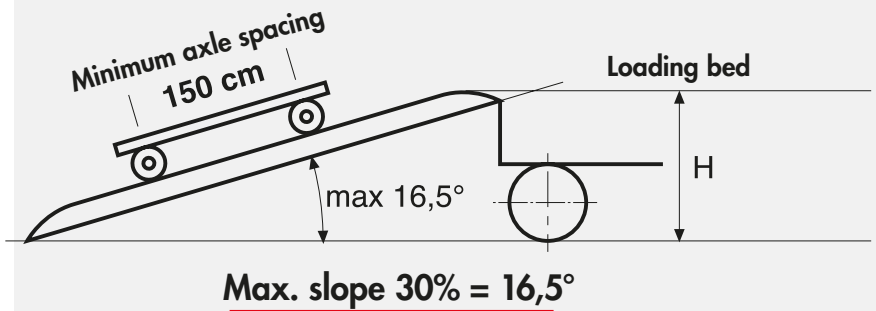
A-Through ABR locking device (accessory)



B-With Ø 12 mm hole in the middle of landing. You have to drill the loading bed too and lock it with a plug



ABR locking device



THE RIGHT RAMP

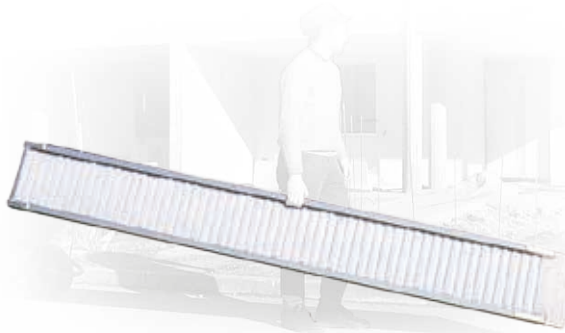
$$\text{RAMP LENGTH (cm)} = \frac{\text{Loading bed height (cm)} \times 30 \times 100}{1000}$$



Code	Loading capacity per pair	(cm)	(cm)	(cm)	(cm)	(cm) h shoulder	Weight (1 piece)	(m ³)	Ean
RL30/15	1.600	152	7,5	30	24	-	9,5	0,03	8028406000594
RL30/20	1.400	197	7,5	30	24	-	12,4	0,04	8028406000600
RL30/25	1.200	242	7,5	30	24	-	14,9	0,05	8028406000617
RL30/30	1.000	302	7,5	30	24	-	18,3	0,07	8028406000624
RL30/35	750	347	7,5	30	24	-	20,8	0,08	8028406000631
R1/18	2.000	300	10,5	37	30	3,0	24	0,12	8028406000648
R2/15	1.800	350	10,5	37	30	3,0	28	0,14	8028406000655
R3/13	1.500	400	10,5	37	30	3,0	32	0,16	8028406000662
R4/39	4.600	300	13,5	41	32	3,5	36	0,17	8028406000679
R5/31	3.700	350	13,5	41	32	3,5	41	0,19	8028406000686
R6/26	3.100	400	13,5	41	32	3,5	47	0,22	8028406000693
R7/54	6.200	300	15	50	40	2,0	49	0,23	8028406000709
R8/44	5.200	350	15	50	40	2,0	59	0,26	8028406000716
R9/36	4.200	400	15	50	40	2,0	65	0,30	8028406000723
ABR	Steel locking device to fix the ramp (between loading bed and tailboard)								8028406000730



AL/961227944001



Light and easy to handle



Load-bearing abutment



Suitable for professional tired vehicles loading/unloading

