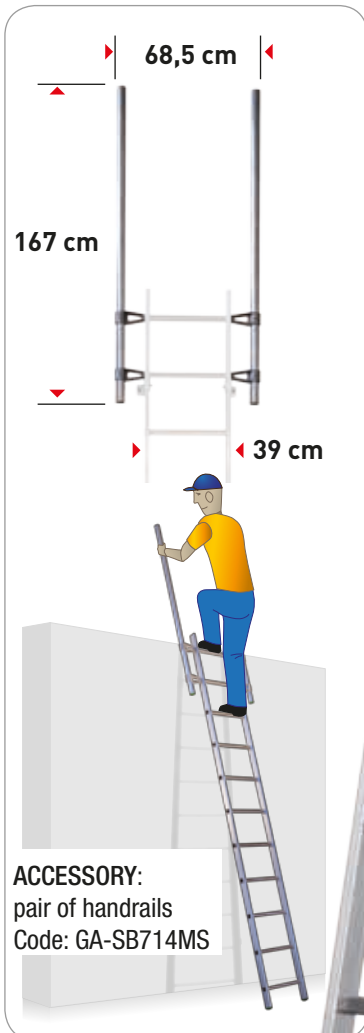


# GENIA

- Aluminium rung leaning ladder.



ACCESSORY:  
Steel hooks  
Code: FE-119/A

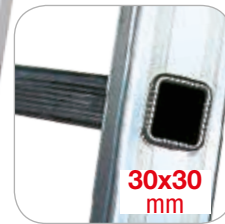


ACCESSORY:  
pair of handrails  
Code: GA-SB714MS

Stabilising bar  
from the code  
GS 350/B



Plug-in top feet



Square non-slip rungs,  
30x30 mm



Alum die casting connector with small articulated foot for stabilizing bar  
Code: PSP/B

I ASSURE  
A BEST QUALITY/  
PRICE RATIO



5 cm high non-slip shoes, for high safety.  
For codes:  
GS200 - GS250 - GS300



WITHOUT STABILISING BAR

Code	(mm)	rungs number	(cm)	(cm)	(cm)	(cm)	(kg)	(m <sup>3</sup> )	Ean
GS200	25x65	6	199	190	295	-	4,90	0,05	8028406101642
GS250	25x65	8	259	245	355	-	5,20	0,07	8028406101659
GS300	25x65	9	289	275	385	-	5,50	0,07	8028406101666

WITH STABILISING BAR FROM PRODUCTION 2018

GS350/B	25x65	11	351	330	445	77	7,60	0,09	8028406111719
GS400/B	25x65	13	411	385	500	89	8,80	0,10	8028406111726
GS450/B	25x65	14	441	415	535	89	9,60	0,11	8028406111733
GS500/B	25x65	16	502	470	595	107	10,70	0,13	8028406111740
GS550/B	25x65	18	562	525	650	107	12,10	0,14	8028406111757

PSP/B	Alum die casting connector with small articulated foot for stabilizing bar								8028406112303
FE-119/A	Steel hook								8028406106579
GA-SB714MS	Pair of handrails								8028406109754