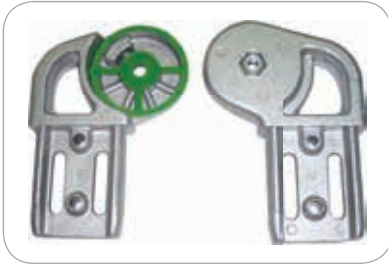


Professional 1

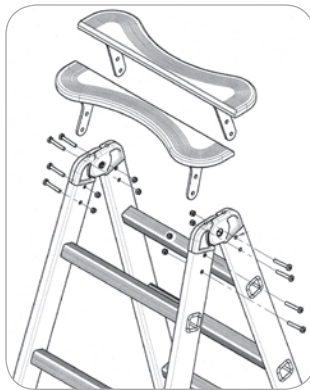
- Aluminium double-sided rungs stepladder.
- Light, stable and easy to use.
- Aluminium die casting hinges.
- 2 strong anti-splay restraint straps.
- Possibility to add an aluminium die casting platform.



Aluminium die casting hinge with polyamide clutch insert



ACCESSORY: Aluminium die casting platform

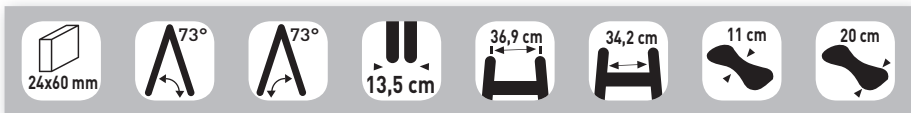


WORK SLOPE AT 73° ON BOTH SIDES



Code	rungs number	(cm)	(cm)	(cm)	(cm)	(cm)	(kg)	(m ³)	Ean
P1-6	6	156,7	107,5	300	57,3	165,1	8,0	0,08	8028406002154
P1-7	7	180,6	122,2	325	60,3	190,1	9,5	0,09	8028406002161
P1-8	8	204,5	136,9	350	63,5	215,1	10,7	0,11	8028406002178
P1-9	9	228,4	151,6	375	66,6	240,1	12,3	0,12	8028406002185
P1-10	10	252,2	166,3	400	69,6	265,1	13,2	0,14	8028406002192
P1-12	12	300,0	195,7	440	75,7	315,1	15,5	0,16	8028406002253

P1-SEL	ACCESSORY: Aluminium die casting platform	8028406002260
--------	---	---------------



This product is delivered with a PVC wrap film and product leaflet



Aluminium die casting hinges and big tool hook on side



13,5
cm



EN131
EUROPEAN NORM



2006/4881



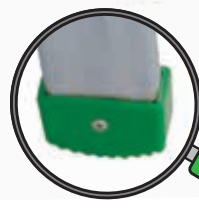
S 60080257



30x30 mm square non-slip rungs on both sides



Stile/rung connection through triple expansion and crimping



5 cm high anti-slip shoes, for high safety