

DOGE⁸⁰

- Aluminium big-sized professional scaffold towers.
- Square rungs: 40x40 mm.
- Stiles size: 25x80 mm horizontals' aluminium die casting crosses that joint the structure to each extension pack.



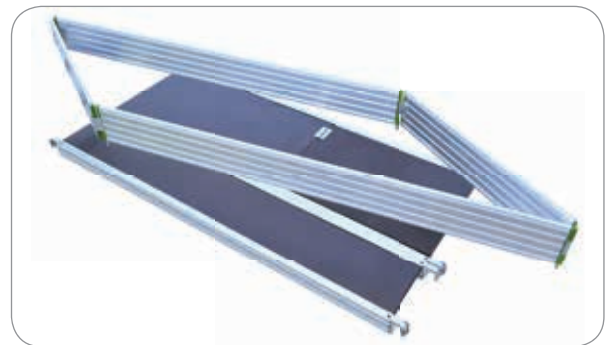
109 cm WIDE LADDER FRAME

40x40 mm

40x40 mm rungs and 25x80 mm stiles size, for a great maximum loading without any additional strengthening



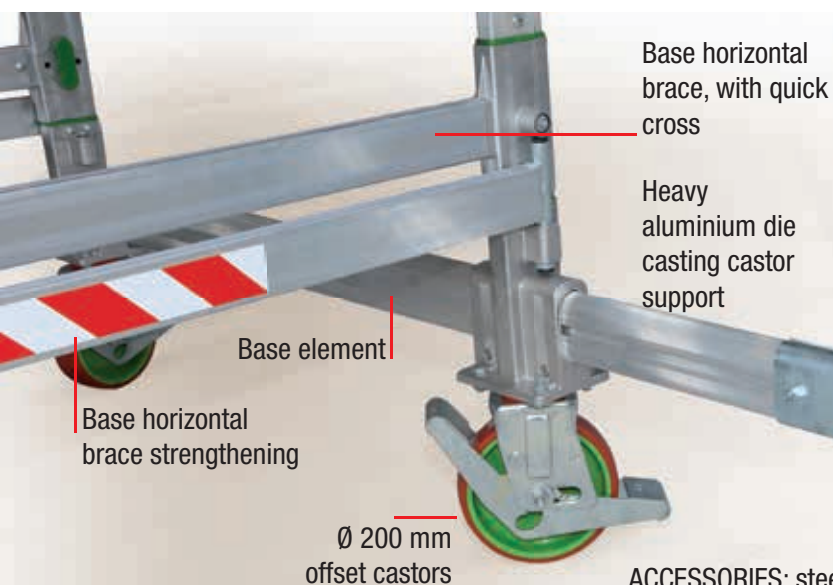
110 cm big adjustable stabilisers



Aluminium structure. Non-slip and waterproof surface. Melamine Eurodeck wood



It means: FSC Norm - Environment respect



Base horizontal brace, with quick cross

Heavy aluminium die casting castor support

Base element
Base horizontal brace strengthening

Ø 200 mm offset castors

ACCESSORIES: steel and aluminium levellers



BIG BASE ELEMENT!!
Heavy structure: **64 kg** made from aluminium and steel.

BASE:
122x218 cm

STRUCTURE:
109x214 cm

PLATFORM:
100x201 cm

CLASS 3
200 kg/m²: EN 1004

400
kg
MAX

Maximum working height
13,40 m



EN1004
EUROPEAN NORM
Without ballast



S 60080285



N. 2001/1670



Safety:
Strong clamps lock
the stabilisers



40x40 mm square rungs

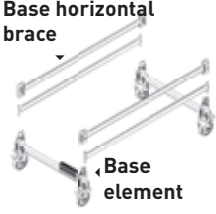


Safety:
Diagonals instant
locking system
through
stainless steel
springs



MAIN COMPONENTS

Base horizontal brace

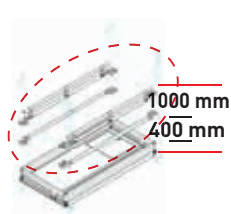


BASE PACK
Code D800

kg: 40 vol: 0,07 m³
Packages: 2

Base element

EAN 8028406003458

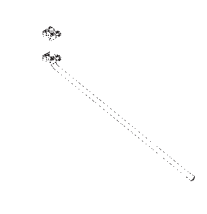


PLATFORM SAFETY KIT
Code D803

kg: 7,8 vol: 0,03 m³
Packages: 1

1000 mm
400 mm

EAN 8028406003755

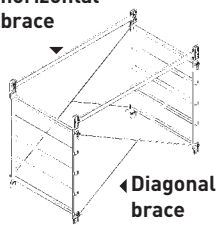


BIG STABILISER
Code D808

4 pcs with 8 clamps
kg: 6,8 (x 4 pcs.)
vol: 0,016 m³, Packages: 2

EAN 8028406003731

Side horizontal brace

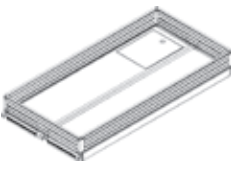


EXTENSION PACK 1500h. - 5 rungs
Code D801

kg: 22,7 vol: 0,30 m³
Packages: 2

Diagonal brace

EAN 8028406003465



DOUBLE PLATFORM with toe board
Code D806

Aluminium toe bard ¾ with trapdoor + ¼ fix
Max. load 200 kg/m³

kg: 35,5 vol: 0,15 m³
Packages: 2

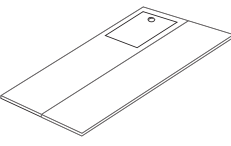
EAN 8028406090274



MAXI STABILISER
Code D809

4 pcs. with 8 clamps
kg: 12 (x 4 pcs.)
vol: 0,12 m³, Packages: 2

EAN 8028406003748



DOUBLE PLATFORM
Code D817

Usable just to pass through:
¾ with trapdoor + ¼ fix
Max. load 200 kg/m³

kg: 28,4 vol: 0,13 m³,
Packages: 1

EAN 8028406090311



MAXI STABILISER
Code D802

4 pcs with clamps
kg: 23,4 (x 4 pcs.)
vol: 0,03 m³, Packages: 1

EAN 8028406090281


OTHER COMPONENTS



BASE ELEMENT
Code D804

kg: 15 vol: 0,02 m³

EAN 8028406003779



BASE HORIZONTAL BRACE
Code D812-B

kg: 2 vol: 0,01 m³

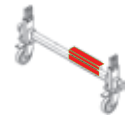
EAN 8028406104155



PLATFORM ½ Without trapdoor
Code D816

kg: 15 vol: 0,01 m³


EAN 8028406003854



BASE ELEMENT with spirit level
Code D805

kg: 15 vol: 0,02 m³

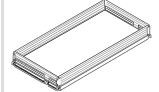
EAN 8028406003786



EXTENSION PACK HORIZONTAL BRACE
Code D812

kg: 2 vol: 0,01 m³


EAN 8028406003809



ALUMINIUM TOE BOARD
Code D819

kg: 7,1 vol: 0,02 m³


EAN 8028406003878



FINAL SAFETY HORIZONTAL BRACE
Code D818

kg: 2 vol: 0,03 m³

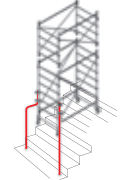
EAN 8028406003823



EXTENSION PACK DIAGONAL BRACE 1500 mm
Code D814

kg: 1 vol: 0,01 m³


EAN 8028406003830



STAIRWELL POSITION DEVICES (without clamps)
Code D660-ZP

kg: 3 vol: 0,01 m³,
Packages: 1


EAN 8028406003403



LADDER FRAME 1500 (5 rungs)
Code D807

kg: 7,2 vol: 0,13 m³


EAN 8028406003861



ALUMINIUM LADDER
Code D210/S

kg: 4 vol: 0,04 m³

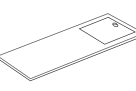
EAN 8028406003816



BASE STRENGTHENING BRACE
Code D811

kg: 2 vol: 0,01 m³

EAN 8028406003793



PLATFORM ½ with trapdoor
Code D815



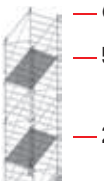
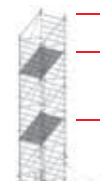




kg: 15 vol: 0,02 m³

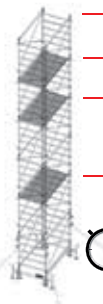
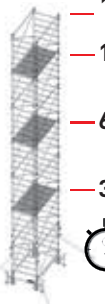
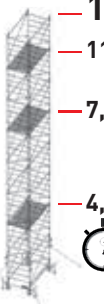



EAN 8028406003847

GUIDELINES FOR EUROPEAN NORM EN 1004 ACCES TOWERS WITH PLATFORMS AND ACCESSORIES



- 1- First platform shall be positioned at max. 4.40 m. from the ground.
The distance between following platforms shall be 4.00 m.
- 2- Platform safety kit is compulsory both on working platforms and pass-through platforms.
- 3- Toe board is compulsory just on the working platform.
- 4- For the assembly and dismantling of the scaffolding, at least **2 people are required**.

Code DG8/1C	Code DG8/2C	Code DG8/3C	Code DG8/4C
 3,64 m — 2,54 m	 5,14 m — 4,04 m	 6,64 m — 5,54 m — 2,54 m	 8,14 m — 7,04 m — 3,74 m
 Assembling time 6 min.	 Assembling time 10 min.	 Assembling time 14 min.	 Assembling time 18 min.
with levellers and/or stabilisers			

Code DG8/5C	Code DG8/6C	Code DG8/7C
 9,64 m — 8,54 m — 6,74 m — 3,44 m	 11,14 m — 10,04 m — 6,74 m — 3,44 m	 12,64 m — 11,54 m — 7,64 m — 4,04 m
 Assembling time 24 min.	 Assembling time 28 min.	 Assembling time 33 min.
with levellers and/or stabilisers	with stabilisers	with stabilisers

TOTAL HEIGHT		m	3,64	5,14	6,64	8,14	9,64	11,14	12,64	
WORKING HEIGHT		m	4,40	5,90	7,40	8,90	10,40	11,90	13,40	
LAST PLATFORM HEIGHT		m	2,54	4,04	5,54	7,04	8,54	10,04	11,54	
81/2008 DECRETO LEGISLATIVO	Code	Description		Pieces	Pieces	Pieces	Pieces	Pieces	Pieces	
	D800	Base element		1	1	1	1	1	1	
	D801	Extension pack 1500		2	3	4	5	6	7	
	D808	4 big stabilisers with 8 clamps					1	1	1	
	D802	4 big stabilisers								
	D818	Safety kit		2	2	2	2	2	2	
EN1004 EUROPEAN NORM	Only structure		Code	DG8/1C	DG8/2C	DG8/3C	DG8/4C	DG8/5C	DG8/6C	DG8/7C
			kg	89,4	112,1	134,8	164,3	187	209,7	232,4
			m ³	0,73	1,03	1,33	1,64	1,94	2,24	2,54
			Packages	7	9	11	15	17	19	21
	D806	Trapdoor platform with toe board		1	1	1	1	1	1	1
	D817	Trapdoor platform without toe board				1	1	2	2	2
	D803	Platform safety kit		1	1	2	2	3	3	3
	Structure including platforms		Code	DG8/1C EN	DG8/2C EN	DG8/3C EN	DG8/4C EN	DG8/5C EN	DG8/6C EN	DG8/7C EN
			kg	132,7	105,4	214,3	243,8	302,7	325,4	348,1
			m ³	0,91	1,21	1,67	1,98	2,44	2,74	3,04
		Packages	10	10	16	20	24	26	28	