

Clic-Clac

BASE:
114x156 cm
STRUCTURE:
58x156 cm
PLATFORM:
51x143 cm

150 kg MAX



NFE 85-200

- Aluminium scaffolding made up by:
Stiles size: 24x60 mm
Rungs 30x30 mm
2x6-rung base section
2x7-rung extension pack
2x6-rung extension pack
- Immediate connection between diagonals and horizontals through the expansion fastening system, actioned by long levers.

Clac EXTENSION PACK

Code PN/PRO

(including 4 telescopic stabilisers + 1 platform + 2 horizontal braces)

kg: 33,00, vol: 0,20 m³ Pieces: 1
EAN 8028406107743

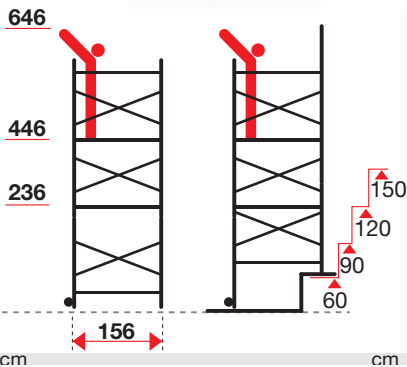


Telescopic stabilisers.



REGISTERED PATENT

Steel tie-rod and connectors coated with nylon



Code	kg	m ³	Pieces	Ean
PN/CLA	67,4	0,57	2	8028406107071

FAST ASSEMBLING
18min First time
8min Next