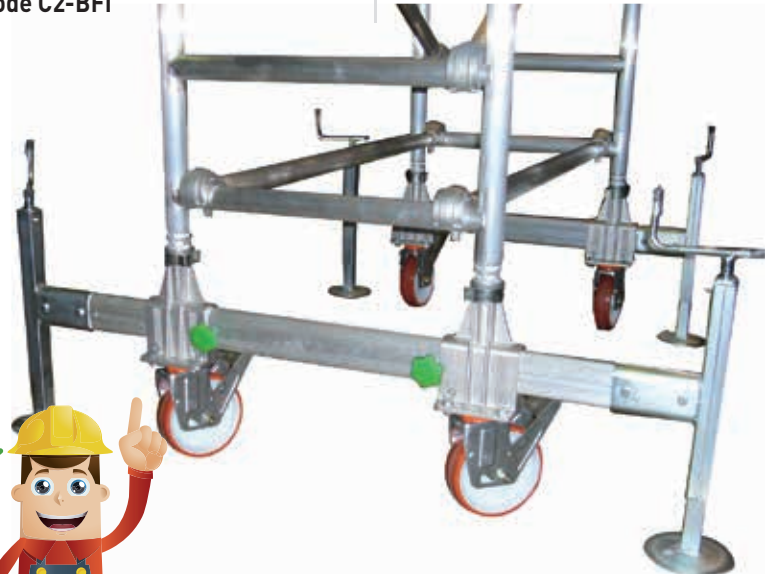


# CAPO-2

- Aluminium professional heavy-duty scaffold tower.
- Ø 50 mm tubular welded structure
- Medium-big sized, it is suitable for building works, decorations, plants, both indoor and outdoor.
- Very fast assembling thanks to the automatic aluminium die casting connections between diagonal and vertical braces.
- Two kinds of base packs: Standard / Adjustable

## STANDARD BASE PACK

Without levellers  
Code C2-BFI



Levellers as accessories

**SAFE AND PRACTICAL!!**  
Base element with castors. It's made from aluminium with a steel strengthening inside.



## ADJUSTABLE BASE PACK

Code C2-BLI



Adjustable leg with double regulation





**BASE:**  
112x230 cm

**STRUCTURE:**  
111x227 cm

**PLATFORM:**  
97x210 cm



Aluminium structure.  
Non-slip and waterproof surface.  
Melamine Eurodeck wood



It means: FSC Norm - Environment respect

EXCLUSIVE: aluminium folding toe board.



Aluminium die casting automatic locking



Ladder frames connection



Stabilisers with articulated steel and rubber feet

**CLASS 3**  
200 kg/m<sup>2</sup>: EN 1004



Max. load on one platform



Maximum working height

9,90 m (outdoor)

EN1004  
EUROPEAN NORM

11,46 m (indoor)



S 60080285



2009/994




Stile/rung connection through welding




Ø 200 mm offset castor with brake

MAIN COMPONENTS



**STANDARD BASE PACK**  
Without Levellers  
**Code C2-BFI**  
2 base elements +  
2x6-rung ladder frames  
+ 2 horizontal braces + 2  
diagonal braces  
📦 **kg:** 44, 📦: 0,35 m<sup>3</sup>,  
Packages:3  
**EAN 8028406104940**



**EXTENSION PACK**  
**h 1040**  
**Code C3-1122**  
2x4-rung ladder frames  
+ 2 diagonal braces  
📦 **kg:** 14,80, 📦: 0,15 m<sup>3</sup>,  
Packages:2  
**EAN 8028406104223**



**PLATFORM**  
**With toe board**  
**Code C7-1122**  
Aluminium structure-  
with trapdoor  
📦 **kg:** 43,00,  
📦: 0,30 m<sup>3</sup>,  
Packages:2  
**EAN 8028406104261**



**ADJUSTABLE BASE**  
**PACK**  
**Code C2-BLI**  
2x6-rung adjustable  
ladder frames + 2  
diagonal braces  
📦 **kg:** 45, 📦: 0,38 m<sup>3</sup>,  
Packages: 2  
**EAN 8028406104346**



**EXTENSION PACK**  
**h 1560**  
**Code C2-1122**  
2x6-rung ladder frames  
+ 2 diagonal braces  
📦 **kg:** 19,20, 📦: 0,22 m<sup>3</sup>,  
Packages:2  
**EAN 8028406104230**




**PLATFORM**  
**Without toe board**  
**Code C6-1122**  
Aluminium structure-  
with trapdoor  
📦 **kg:** 33,00,  
📦: 0,20 m<sup>3</sup>,  
Packages:1  
**EAN 8028406104377**



**END EXTENSION PACK**  
**h 1040**  
**Code C5-1122**  
2x4-rung ladder frames  
+ 4 horizontal braces  
📦 **kg:** 14,60, 📦: 0,16 m<sup>3</sup>,  
Packages:2  
**EAN 8028406104247**



**HORIZONTAL SAFETY PACK**  
**for platform**  
**Code C134-1122**  
4 pieces  
📦 **kg:** 9,20,  
📦: 0,10 m<sup>3</sup>,  
Packages:1  
**EAN 8028406104278**



**END EXTENSION PACK**  
**h. 1560 - 6 rungs**  
**Code C4-1122**  
2x6-rung ladder frames  
+ 4 horizontal braces  
📦 **kg:** 19,00, 📦: 0,23 m<sup>3</sup>,  
Packages:2  
**EAN 8028406104254**



**STABILISERS -**  
**2100 mm**  
**Code C84-7515**  
4 pieces  
📦 **kg:** 24,00, 📦: 0,18 m<sup>3</sup>,  
Packages:1  
**EAN 8028406103141**


OTHER COMPONENTS



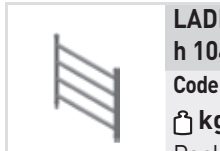
**BASE ELEMENT With 2**  
**castors - for standard base**  
**Code C19-1122**  
📦 **kg:** 15,00, 📦: 0,02 m<sup>3</sup>,  
Packages: 1  
**EAN 8028406104957**




**HORIZONTAL BRACE**  
**2210 mm**  
**Code C13-1122**  
📦 **kg:** 2,30, 📦: 0,025 m<sup>3</sup>,  
Packages:1  
**EAN 8028406104308**




**PLATFORM Made of aluminium**  
**- 1/4 without trapdoor**  
**Code C16-1122**  
📦 **kg:** 14, 📦: 0,8 m<sup>3</sup>,  
Packages:1  
**EAN 8028406104353**



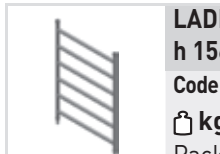
**LADDER FRAME**  
**h 1040 - 4 rungs**  
**Code C11-1122**  
📦 **kg:** 5,00, 📦: 0,07 m<sup>3</sup>,  
Packages:1  
**EAN 8028406104285**




**DIAGONAL BRACE 2343 mm**  
**Code C14-1122**  
📦 **kg:** 2,40, 📦: 0,027 m<sup>3</sup>,  
Packages:1  
**EAN 8028406104315**



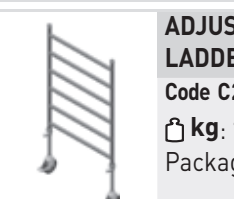
**PLATFORM Made of**  
**aluminium - 3/4 with trapdoor**  
**Code C17-1122**  
📦 **kg:** 19,40, 📦: 0,123 m<sup>3</sup>,  
Packages: 1  
**EAN 8028406104360**



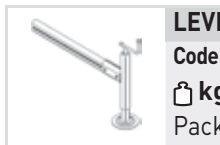
**LADDER FRAME**  
**h 1560 - 6 rungs**  
**Code C12-1122**  
📦 **kg:** 7,20, 📦: 0,10 m<sup>3</sup>,  
Packages:1  
**EAN 8028406104292**




**FOLDING ALUMINIUM**  
**TOE BOARD**  
**Code C15-1122**  
📦 **kg:** 10, 📦: 0,019 m<sup>3</sup>,  
Packages:1  
**EAN 8028406104322**



**ADJUSTABLE BASE**  
**LADDER FRAME**  
**Code C26-1122**  
📦 **kg:** 17,80, 📦: 0,175 m<sup>3</sup>,  
Packages:1  
**EAN 8028406104339**



**LEVELLERS 4 pieces pack**  
**Code D802**  
📦 **kg:** 22,7, 📦: 0,03 m<sup>3</sup>,  
Packages:1  
**EAN 8028406090281**



**STABILISER 2100 mm**  
**Code C8-7515**  
📦 **kg:** 6,00, 📦: 0,045 m<sup>3</sup>,  
Packages:1  
**EAN 8028406103141**

MAIN COMPOSITIONS – INCLUDING PLATFORMS

<p>Code C30-2/C</p> <p>1,87 m 0,98 m</p> <p>Assembling time 4 min.</p>	<p>Code C31-2/C</p> <p>2,91 m 1,76 m</p> <p>Assembling time 6 min.</p>	<p>Code C32-2/C</p> <p>3,43 m 2,28</p> <p>Assembling time 8 min.</p>	<p>Code C33-2/C</p> <p>4,47 m 3,32</p> <p>Assembling time 10 min.</p>
<p>Code C34-2/C</p> <p>4,99 m 3,58 m</p> <p>Assembling time 14 min.</p>	<p>Code C35-2/C</p> <p>6,03 m 4,88 m 1,94 m</p> <p>Assembling time 16 min.</p>	<p>Code C36-2/C</p> <p>6,55 m 5,40 1,94</p> <p>Assembling time 18 min.</p>	<p>Code C37-2/C</p> <p>7,59 m 6,44 3,00</p> <p>Assembling time 21 min.</p>
<p>Code C38-2/C</p> <p>8,11 m 6,96 m 3,53 m</p> <p>Assembling time 23 min.</p>	<p>Code C39-2/C</p> <p>9,15 m 8,00 m 4,32 m</p> <p>Assembling time 26 min.</p>	<p>Code C40-2/C</p> <p>9,67 m 8,52 m 5,12 m 1,94 m</p> <p>Assembling time 28 min.</p>	<p>Code C41-2/C</p> <p>10,71 m 9,56 m 5,91 m 1,94 m</p> <p>Assembling time 31 min.</p>

<b>TOTAL HEIGHT</b>	m	1,87	2,91	3,43	4,47	4,99	6,03	6,55	7,59	8,11	9,15	9,67	10,71
<b>WORKING HEIGHT</b>	m	2,88	3,66	4,18	5,22	5,48	6,78	7,30	8,34	8,86	9,90	10,42	11,46
<b>LAST PLATFORM HEIGHT</b>	m	0,98	1,76	2,28	3,32	3,58	4,88	5,40	6,44	6,96	8,00	8,52	9,56

Code	Description	Pieces		Pieces		Pieces		Pieces		Pieces		Pieces		Pieces	
		C30-2/C-BFI	C31-2/C-BFI	C32-2/C-BFI	C33-2/C-BFI	C34-2/C-BFI	C35-2/C-BFI	C36-2/C-BFI	C37-2/C-BFI	C38-2/C-BFI	C39-2/C-BFI	C40-2/C-BFI	C41-2/C-BFI		
C3-1122	Extension pack – 4 rungs														
C2-1122	Extension pack – 6 rungs				1	1	2	2	3	3	4	4	5		
C5-1122	End extension pack- 4 rungs		1		1		1		1		1		1		
C4-1122	End extension pack- 4 rungs			1		1		1		1		1			
C6-1122	Platform without toe board	1	1				1	1	1	1	1	2	2		
C7-1122	Platform with toe board			1	1	1	1	1	1	1	1	1	1		
C134-1122	4 horizontal safety braces						1	1	1	1	1	2	2		
<b>C2-BFI</b>	<b>Standard base pack</b>	1	1	1	1	1	1	1	1	1	1	1	1		
D-802	4 levellers						1	1	1						
C84-7515	4 stabilisers										1	1	1		
	<b>code</b>	C30-2/C-BFI	C31-2/C-BFI	C32-2/C-BFI	C33-2/C-BFI	C34-2/C-BFI	C35-2/C-BFI	C36-2/C-BFI	C37-2/C-BFI	C38-2/C-BFI	C39-2/C-BFI	C40-2/C-BFI	C41-2/C-BFI		
	<b>kg</b>	77	91,5	106	120	149	206	210	225	229	244	290	306		
	<b>m³</b>	0,58	0,74	0,91	1,06	1,93	2,38	2,45	2,60	2,67	2,82	3,20	3,25		
	<b>Composition packages</b>	4	6	7	9	10	14	14	16	16	18	20	22		
<b>C2-BLI</b>	<b>Adjustable base pack</b>	1	1	1	1	1	1	1	1	1	1	1	1		
C84-7515	4 stabilisers						1	1	1	1	1	1	1		
	<b>codice</b>	C30-2/C-BLI	C31-2/C-BLI	C32-2/C-BLI	C33-2/C-BLI	C34-2/C-BLI	C35-2/C-BLI	C36-2/C-BLI	C37-2/C-BLI	C38-2/C-BLI	C39-2/C-BLI	C40-2/C-BLI	C41-2/C-BLI		
	<b>kg</b>	78	92,6	107	121,8	150,2	207,2	211,6	226,4	230,8	245,6	292,2	307		
	<b>m³</b>	0,58	0,74	0,91	1,06	1,93	2,38	2,45	2,60	2,67	2,82	3,20	3,35		
	<b>Composition packages</b>	3	5	6	8	9	13	13	15	15	17	19	21		