



The new telescopic ladder extremely solid and easy to use. It's equipped with strong steel hinges combined with special resin coverings, that assure the best sliding during the movements and the total hands' protection.

The steel hinges are firmly connected to the stiles through 18 attaching points.



A-frame step position

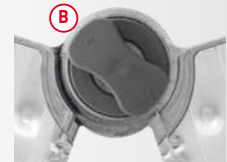
IMPORTANT!!!

2 possible hinge positions::

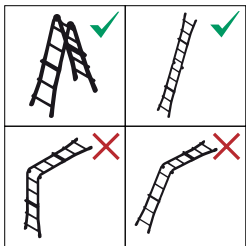
Free



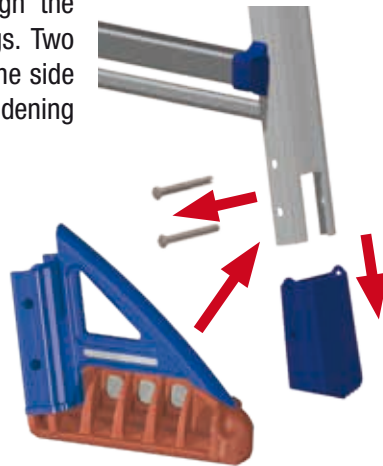
Locked



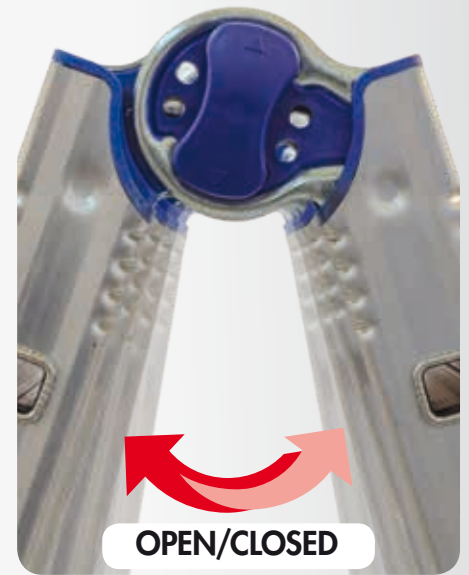
Multiple working positions among which the "free hinge position": when the ladder is in A-frame position it can be easily opened or closed



Four splits on the stiles and four removable feet fixed through the non-metal plugs. Two splits on the same side hold the rapid widening system.



Widening system
Internazional Patent (FACAL project)



It means: Clear and transparent packaging



It means: aromatic polycyclic hydrocarbons plastic parts are heavy metal-free (Zinc, Chrome, and Cadmium)



	Code	Rungs number	(cm)	(cm)	(cm)	(cm)	(cm)	(cm)	(cm)	(cm)	(kg)	(m ³)	EAN
EN131-4 EUROPEAN NORM 	BB/1	3/3	92	288	143	93	380	260	52,00	-	9,50	0,115	8028406110019
	BB/2A	4/4	120	400	198	122	490	315	62,00	87,50	13,50	0,180	8028406119548
	BB/3A	4/5	148	456	225	137	550	340	62,00	87,50	14,00	0,220	8028406119555
	BB/4A	5/5	148	512	252	152	605	370	62,00	87,50	15,00	0,220	8028406119562

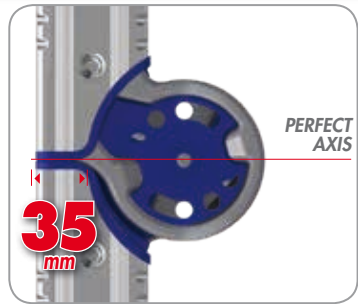




EU EN131-4
EUROPEAN NORM
USE OF THE WIDENING
SYSTEM COMPULSORY IN THIS
POSITION



EU EN131-4
EUROPEAN NORM
150 kg
MAX
TÜV Italia
Attestation of Conformity
No.: D 027944 0027



24 cm